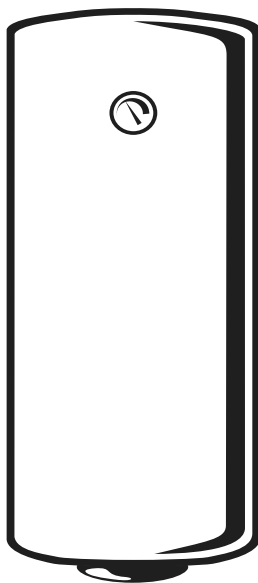


svan

EN ELECTRIC WATER HEATER 03-07
Instructions for use and maintenance

ES TERMO DE AGUA ELÉCTRICO 08-12
Instrucciones de uso y mantenimiento



SVTE50A4
SVTE80A4

Read this manual carefully and keep it for future reference.

Lea atentamente este manual y guárdelo para futuras consultas.

I. IMPORTANT RULES

1. This appliance is intended for domestic use only.
2. This technical description and instructions manual was prepared in order to acquaint you with the product and the conditions of proper installation and use. These instructions were also intended for use by qualified technicians, who shall perform the initial installation, or disassembly and repairs in the event of a breakdown.
3. Following the current instructions will primarily be of interest to the consumer, but along with this, it is also one of the warranty conditions, pointed out in the warranty card, so that the consumer can benefit from the free warranty services. The producer is not responsible for damages in the appliance that have appeared as a result of operation and/or installation not corresponding to the instructions here.
4. The electric water heater complies with the requirements of EN 60335-1, EN 60335-2-21.
5. This appliance can be used by children aged from 8 years and above and persons with reduced physical, sensory or mental capabilities or lack of experience and knowledge if they have been given supervision or instruction concerning use of the appliance in a safe way and understand the hazards involved.
6. Children shall not play with the appliance.
7. Cleaning and user maintenance shall not be made by children without supervision.

⚠ Attention! Improper installation and connection of the appliance may make it hazardous for the health and life of consumers. It may cause grievous and permanent consequences, including but not limited to physical injuries and/or death. Improper installation and connection of the appliance may also lead to damage to the consumers' property /damage and/ or destruction/, or to that of third persons, as a result of, but not limited to flooding, explosion and/or fire. Installation, connection to the main water and power supply, and putting into operation must be carried out by certified electricians and technical personnel certified in installation of this category of appliances, who have obtained their license in the state where the installation and commissioning of the appliance are carried out, and in compliance with its local legislation.

⚠ All alterations and modifications to the water heater's construction and electrical circuitry are forbidden. If such alterations or modifications are established during inspection, the appliance's warranty shall be null and void. Alterations and modifications shall mean each instances of removal of elements incorporated by the manufacturer, building in of additional components into the water heater, replacement of elements by similar elements unapproved by the manufacturer.

Mounting

1. The water heater must only be mounted in premises with normal fire resistance.
2. In the event the device is mounted in a bathroom, the selected location must exclude the possibility of water spray contact from the showerhead or portable showerhead attachment.
3. The water heater is designed to operate only in closed and heated premises where the temperature is not lower than 4°C and it is not designed to operate in a continuous protracted regime.
4. The appliance is affixed to a wall via the mounting brackets attached to the unit's body (if the brackets are not attached to the unit's body, they must be affixed in place via the provided bolts).

Water heater connection

1. The appliance is intended to supply hot water to household sites equipped with a piping system working at pressure below 6 bar (0,6 Mpa).
2. The **safety return-valve must be mounted** on the cold water supply pipe, in observance of the direction arrow stamped on its body, indicating the incoming water's direction. Additional stopcocks must not be mounted between the safety return-valve and the water heater.

Exception: If the local regulations (norms) require the usage of another protection valve or mechanism (in accordance with EN 1487 or EN 1489), then it must be bought additionally. For mechanisms operating in accordance with EN 1487 the announced operational pressure must be no more than 0.7 MPa. For other

protection valves, the pressure at which they are calibrated must be 0.1 MPa lower than the one marked on the appliance's sign. In these cases the safety valve which the appliance is supplied with should not be used.

3. The safety valve and the pipe between the valve and the water heater must be protected from freezing. During hose draining - its free end must be always open to the atmosphere (not to be immersed). Make sure that the hose is also protected from freezing.

4. In order to secure the water heater's safe operation, the safety return-valve must undergo regular cleaning and inspections for normal functioning /the valve must not be obstructed/, and for the regions with highly calcareous water it must be cleaned from the accumulated lime scale. This service is not provided under warranty maintenance.

5. In order to prevent injury to user and third persons in the event of faults in the system for providing hot water, the appliance must be mounted in premises outfitted with floor hydro insulation and plumbing drainage. Don't place objects, which are not waterproof under the appliance under any circumstances. In the event of mounting the appliance in premises not outfitted with floor hydro insulation, a protective tub with a plumbing drainage must be placed under the appliance.

6. During operation – regime of heating the water – water drops through the drainage opening of the protection valve are usual. The protection valve should be left open to the atmosphere. Measures should be taken to lead and collect the leakages in order to prevent damages.

7. If the probability exists for the premise's temperature to fall below 0°C, the water heater must be drained.

In the event you must empty the water heater, first you must cut off its power supply. The inflow of water from the water mains must first be terminated and the hot water tap of the mixing-faucet must be opened. The water tap 7 (fig 4) must be opened to drain the water from water tank. If there is no such tap build in the pipe line, than the water can be drain directly from inlet pipe of water tank after when you disconnect it from water main.

Connection to the electrical network

1. Do not switch on the water heater unless you established it was filled with water..
2. Upon connecting the water heater to the electric mains care must be taken to connect the safety lead.
3. Models without power cord, the circuit has to be supplied with a safety fuse (16A) and with inbuilt device to ensure disconnection of all pole pieces in the conditions of over-voltage from category III.
4. If the power supply cord (of models that have one) is damaged, it must be replaced by a service representative or a person with similar qualification, to avoid any risk.
5. During the heating the appliance could produce a hissing noise (the boiling water). This is common and does not indicate any damage. The noise gets higher with the time and the reason for this is the accumulation of limestone. To remove the noise the appliance must be cleaned from limestone. This type of cleaning is not covered by the warranty.

Dear Clients,

Our team would like to congratulate you on your new purchase. We hope that your new appliance shall bring more comfort to your home

II. TECHNICAL PARAMETERS

1. Nominal volume V, liters - see the appliance's rating plate.
2. Nominal voltage - see the appliance's rating plate.
3. Nominal power consumption - see the appliance's rating plate.
4. Nominal pressure - see the appliance's rating plate.

! *This is not the water mains pressure. This is the pressure that is announced for the appliance and refers to the requirements of the safety standards.*

5. Water heater type - closed type accumulating water heater, with thermal insulation.
6. Daily energy consumption – see Annex I
7. Rated load profile - see Annex I
8. Quantity of mixed water at 40 °C V40 litres - see Annex I
9. Maximum temperature of the thermostat - see Annex I
10. Default temperature settings - see Annex I
11. Energy efficiency during water heating - see Annex I

III. DESCRIPTION AND PRINCIPLE OF WORK

The appliance consists of a body, flange at the bottom side /for water heaters intended for vertical mounting/ or at the sides /for water heaters intended for horizontal mounting/, protective plastic panel safety-return valve.

1. The body consists of a steel reservoir (water tank) and housing (outer shell) with thermal insulation placed in-between made of ecologically clean high density polyurethane foam, and two pipes with thread G ½ " for cold water supply (marked by a blue ring) and hot water outlet pipe (marked by a red ring).

The inner tank may be made of steel protected from corrosion by a special glass-ceramics coating.

2. The flange is outfitted with: electric heater and thermostat. The water heaters with glass-ceramics coating are outfitted with a magnesium protector.

The electric heater is used for heating the water in the tank and is managed by the thermostat, which automatically maintains the set temperature.

The thermostat has a built in overheating safety device, which switches off power to the heater when the water temperature reaches excessive values. In the event this device is tripped, please consult a service station.

The magnesium protector provides additional corrosion protection to the internal tank of heaters outfitted with glass-ceramics coating.

3. The safety-return valve prevents the appliance's complete emptying in the event the cold water supply is interrupted. The valve protects the appliance from pressure increases higher than the allowed value during heating (! pressure increases upon an increase of temperature), via release of excess pressure during the drainage opening.

! *Attention! The safety-return valve cannot protect the appliance in the event of water mains pressure in excess of the acceptable pressure stated for the appliance.*

IV. MOUNTING AND SWITCHING ON

! *Attention! Improper installation and connection of the appliance may make it hazardous for the health and life of consumers. It may cause grievous and permanent consequences, including but not limited to physical injuries and/or death. Improper installation and connection of the appliance may also lead to damage to the consumers' property /damage and/ or destruction/, or to that of third persons, as a result of, but not limited to flooding, explosion and/or fire. Installation, connection to the main water and power supply, and putting into operation must be carried out by certified electricians and technical personnel certified in installation of this category of appliances, who have obtained their license in the state where the installation and commissioning of the appliance are carried out, and in compliance with its local legislation.*

1. Mounting

We recommend the mounting of the device at close proximity to locations where hot water is used, in order to reduce heat losses during transportation. In the event the device is mounted in a bathroom, the selected location must exclude the possibility of water spray contact from the showerhead or portable showerhead attachment.

The appliance is affixed to a wall via the mounting brackets attached to the unit's body. Two hooks are used for suspending the appliance (min. Ø 10 mm) set firmly in the wall (not included in the mounting set). The mounting bracket's construction designed for water heaters intended for vertical mounting is universal and allows a distance between the hooks of 220 to 310 mm (fig. 1).

! *Attention! In order to prevent injury to user and/or third persons in the event of faults in the system for providing hot water, the appliance must be mounted in premises outfitted with floor hydro insulation (or) plumbing drainage. Don't place objects, which are not waterproof under the appliance under any circumstances. In the event of mounting the appliance in premises not outfitted with floor hydro insulation, a protective tub with a plumbing drainage must be placed under the appliance.*

! *Notice: the set does not include a protective tub and the user must select the same.*

2. Water heater connection to the pipe network.

Fig. 4:

Where: A ≈4m ; 1 - Inlet pipe; 2 - Safety valve; 3 - reducing valve (for water main pressure > 0,6 MPa); 4 - Stop valve; 5 - Funnel connected to the sewer network; 6 - Hose; 7 - Drain water tap.

Upon connecting the water heater to the water mains you must consider the indicative color markings /rings/ affixed to the pipes: blue for cold /incoming/ water, red for hot /outgoing/ water.

The mounting of the safety return-valve supplied with the water heater is obligatory. The safety

return-valve must be mounted on the cold water supply pipe, in observance of the direction arrow stamped on its body, indicating the incoming water's direction. Additional stopcocks must not be mounted between the safety return-valve and the water heater.

Exception: If the local regulations (norms) require the usage of another protection valve or mechanism (in accordance with EN 1487 or EN 1489), then it must be bought additionally. For mechanisms operating in accordance with EN 1487 the announced operational pressure must be no more than 0.7 MPa. For other protection valves, the pressure at which they are calibrated must be 0.1 MPa lower than the one marked on the appliance's sign. In these cases the safety valve which the appliance is supplied with should not be used.

Attention! The presence of other /old/ safety return-valves may lead to a breakdown of your appliance and they must be removed.

Attention! Other type of stopping armature is not allowed between the protection return valve (the protective device) and the appliance.

Attention! The attaching of the safety return-valve to threads longer than 10 mm is not allowed, otherwise this may damage the valve and poses danger for your appliance.

Attention! With appliances for vertical assembly, the safety valve has to be connected to the ingoing pipe with the safety plastic panel of the appliance being taken off. After it has been assembled it should be in position as shown on Fig. 3 and fig.4.

Attention! The safety valve and the pipe between the valve and the water heater must be protected from freezing. During hose draining - its free end must be always open to the atmosphere (not to be immersed). Make sure that the hose is also protected from freezing.

Opening the cold-water stopcock of the water supply piping network and opening the hot-water stopcock of the water-mixing faucet carries out the filling of the water heater with water. After the filling is complete, a constant stream of water must begin to flow from the water-mixing faucet. Now you can close the hot water stopcock.

In the event you must empty the water heater, first you must cut off its power supply. The inflow of water from the water mains must first be terminated and the hot water tap of the mixing-faucet must be opened. The water tap 7 (fig 4) must be opened to drain the water from water tank. If there is no such tap build in the pipe line, than the water can be drain directly from inlet pipe of water tank .In the event of removing the flange, the discharge of several liters of water, which remain in the water tank, is normal.

Attention! Measures must be undertaken to prevent damage from discharging water during draining. In the event that the water mains piping, pressure exceeds the pressure stated on the appliance (outlined here above in s. II and on the appliance's rating plate), it shall be necessary to mount a pressure-reducing valve; otherwise the water heater shall not function correctly. The Manufacturer does not assume any liability for problems arising out of the appliance's improper use.

3. Water heater connection to the electrical network (Fig.2)

Explanations to Fig. 2:

TS - thermal switch; TR - thermal regulator; R - heater; IL - light indicator; F - flange.

Attention! Make sure the appliance is full of water prior to switching on the electrical mains power.

3.1. **Models with power cord with a plug** are connected by inserting the plug into a contact. They are switched off the power supply by drawing the plug out of the contact.

Attention! The wall-plug must be properly connected to a separate electrical circle that is provided with a protector. It must be earthed.

3.2. Models without power cord


The appliance has to be connected to a separate electricity circuit of the stationary electrical wiring. The circuit has to be supplied with a safety fuse 16A (20A for power > 3700W). Copper single core (rigid – non stranded) conductor shall be used for the connection – cable 3 x 2.5 mm² (cable 3 x 2.5 mm² for power > 3700W).

The electrical circuit supplying the appliance must have an in-built device ensuring the splitting of all terminal poles under conditions of super-voltage of category III.

To install the power supply wire to the appliance, remove the plastic cover (Fig.3).

Connect the power wires in compliance with the marks on the terminals, as follows:

- the phase - to mark A, A1, L or L1;
- the neutral - to N (B or B1 or N1)

The safety wire must be obligatory connected to the screw joint marked with .

After the installation, put the plastic cover back in its place!

Note: For models with externally adjustable thermostat (shown on Fig. 3), dismount the handle before mounting the cover by pressing it from the internal side till it gets detached from the plastic cover. Mount the plastic cover again, afterwards set the handle on its place by pressing it to click in.

V. RUST PROTECTION MAGNESIUM ANODE

The magnesium anode protects the water tank's inner surface from corrosion.

The anode element is an element undergoing wear and tear and is subject to periodic replacement.

⚠ Caution: *The anode protector MUST be checked, and changed if needed, after each year of exploitation.*

For replacements, please contact the authorized service stations!

VI. OPERATION

Switch on:

Before switching on the appliance for first time, make sure that the water heater is properly connected to the power supply network and full with water.

The appliance is switched on by a switch integrated into the installation, described in item 3.2 of Section IV, or upon connecting the plug to the electrical contact (in the case of an extension cable with plug).

⚠ IMPORTANT: *Models that do not have thermostat control knobs have automatic water temperature preset by the manufacturer.*

Temperature setup (for models with adjustable thermostat) - This setup allows the gradual setting of the desired temperature, achieved by using a handle on the control panel.

THE CONTROL LAMP on the panel indicates the state (the mode) in which the appliance is placed: it is lit when the water is being heated and is switched off when the specified by the thermostat water temperature level is reached.

Position e (Energy-save mode) – At this mode, water temperature reaches up to approximately 60°C. Heat losses are reduced in this way.

Protection according to the temperature (valid for all models).

The appliance is equipped with a special facility (thermal circuit-breaker) for protection against overheating of the water, which is switching off the heater from the electricity network, when the temperature reaches too high values.

⚠ Attention! *When this device operates, it does not self-reset and the appliance will not work. Please call an authorized service for solving the problem.*

VII. PERIODIC MAINTENANCE

Under normal use of the heater, under the influence of high temperature, lime scale /the so-called lime scale layer/ is deposited upon the heating element's surface. This worsens the heat exchange between the heating element and water. The heating

element's surface temperature increases along /of boiling water/. The thermoregulator begins to switch on and off more frequently. A "deceptive" activation of the thermal protection is possible. Due to these facts, the manufacturer recommends preventive maintenance of your water heater every two years by an authorized service center or service base. This protective maintenance must include cleaning and inspection of the anode protector (for water heaters with glass-ceramic coating), which shall be replaced with a new one if need arises. Each preventive maintenance of the said type must be entered in the appliance's warranty card and must outline date of performing the preventive maintenance, company performing the preventive maintenance, name of person performing the preventive maintenance, and signature.

Non-fulfillment of the above requirement may terminate the free of charge maintenance of your boiler. In order to clean the appliances use a damp cloth. Do not clean with abrasive or solvent content detergents. Do not pour water over the appliance.

The manufacturer does not bare the responsibility for all consequences caused by not obeying the instructions, given hereby.

DISPOSAL OF PACKAGING AND PRODUCT



Dispose of packaging in an environmentally-friendly manner.

This appliance is labelled in accordance with European Directive 2012/19/EU concerning used electrical and electronic appliances (waste electrical and electronic equipment - WEEE). The guideline determines the frame work for the return and recycling of used appliances as applicable throughout to the EU.

PACKAGE INFORMATION:

Packaging materials of the product are manufactured from recyclable materials in accordance with our National Environment Regulations. Do not dispose of the packaging materials together with the domestic or other wastes. Take them to the packaging material collection points designated by the local authorities

I. NORMAS IMPORTANTES

1. Este aparato está destinado únicamente al uso doméstico.
2. La descripción técnica e instrucciones de funcionamiento tienen como objetivo presentarle el producto y las condiciones un montaje y funcionamiento correctos. Este manual va dirigido a los instaladores legalmente acreditados que llevarán a cabo el montaje y, posteriormente, el desmontaje y posible sustitución del equipo en caso de deterioro o desgaste.
3. El cumplimiento de estas instrucciones es en beneficio del usuario y comprador del equipo, así como una condición indispensable para la aplicación de la garantía. El fabricante no se hace responsable de los daños en el aparato y los daños causados por el uso o ensamblaje no conforme a las indicaciones e instrucciones de este manual.
4. El termo eléctrico responde a los requerimientos de EN 60335-1, EN 60335-2-21.
5. Este aparato puede ser manejado por niños mayores de 8 años, por personas con minusvalías físicas, sensoriales o mentales, o por personas que no hayan utilizado antes un aparato similar si están bajo supervisión o reciben las instrucciones precisas para un correcto y seguro manejo del termo, siendo conscientes de los peligros que puede suponer.
6. Los niños no deben jugar con el aparato.
7. La limpieza y mantenimiento del termo no puede ser realizada por niños sin supervisión.



¡ATENCIÓN! La instalación y conexión incorrecta del equipo podrán hacerlo peligroso para la salud y la vida de los usuarios haciendo posibles los daños graves y perdurables, incluso pero no limitados a la discapacidad física y/o muerte. También pueden causar daños/destrucción y/o aniquilación de su propiedad, así como a la de terceros, por inundación, explosión, incendio y otros.

La instalación, la conexión a la red de agua y a la red eléctrica, así como la puesta en marcha deberán ser llevadas a cabo únicamente por electricistas y técnicos cualificados para la reparación y el montaje del equipo que han adquirido sus competencias profesionales en el territorio del país donde se lleva a cabo el montaje y la puesta en marcha del equipo y en conformidad con su normativa.



Queda terminantemente prohibido realizar modificaciones o cambios tanto en la estructura como en el circuito eléctrico del termo. Si se detecta alguna modificación durante la inspección del aparato, la garantía quedará anulada inmediatamente. Por modificaciones o cambios se entienden la eliminación de piezas o componentes originales del fabricante, la incorporación de elementos adicionales en el termo o el recambio de piezas por otros similares que no hayan sido aprobados por el fabricante.

Montaje

1. El termo debe montarse solamente en recintos con una seguridad anti incendios normal.
 2. En caso de montar el termo en el cuarto de baño, debe ser instalado en un lugar en el que no pueda mojarse.
 3. Está diseñado para funcionar en lugares cerrados y acondicionados en los que la temperatura no descienda por debajo de 4 °C y no está diseñado para funcionar de forma continua.
 4. El aparato se fija a la pared mediante las placas que lleva incorporadas al cuerpo (si las placas no van ya incorporadas, deben ser acopladas al cuerpo mediante los tornillos provistos).
-

Conexión del termo a la red de tuberías

1. El aparato tiene como fin suministrar agua caliente sanitaria a nivel doméstico en aquellas casas con un sistema de tuberías con una presión de no más de 6 bar (0,6 MPa).
2. **Es obligatorio que se monte la válvula de retorno de seguridad que incorpora el termo.** Esta se debe colocar en la entrada del agua fría, siguiendo el sentido indicado por la flecha, que indica la dirección de entrada del agua. No se admite el montaje de llaves de paso adicionales entre la válvula de retorno y el aparato.

Excepcion: Si las normativas locales requieren usar otra valvula de seguridad o dispositivo (que cumplen la normas EN 1487 o EN 1489) estos deben comprarse por separado. Para dispositivos que cumplen la norma EN 1487, la presión máxima de trabajo anunciada debe ser de 0,7 MPa. Para otras valvulas de seguridad, la presión a la que son calibradas debe ser 0,1MPa inferior que la indicada en la placa del aparato. En estos casos, la valvula de retorno, que se suministra con el aparato, no debe ser utilizada.

3. La válvula de seguridad y la tubería entre la válvula y el termo deben estar protegidos contra la congelación. Durante el vaciado de la manguera, su extremo libre debe estar siempre abierto al atmósfera (nunca sumergido). Asegúrese de que la manguera también está protegida contra la congelación.
4. Para asegurar un funcionamiento correcto del termo, la válvula de retorno de seguridad debe someterse a una limpieza periódica e inspecciones para asegurar un funcionamiento normal/ la ausencia de obstrucciones en la válvula/ y, en las regiones con aguas altamente mineralizadas, la eliminación de la cal acumulada. Este servicio no está incluido en los términos de la garantía.
5. Para evitar daños en el usuario y/o terceras personas en caso de deterioro del sistema de suministro de agua caliente es necesario que el aparato se monte en recintos donde haya un hidroaislamiento de suelo y canerías de desagüe. En ningún caso sitúe objetos debajo del termo que no sean impermeables. En el caso de montar el aparato en recintos sin hidroaislamiento de suelo es necesario que se instale una cubeta de protección con canalización hacia la canería de desagüe debajo del aparato.
6. Durante el funcionamiento - fase de calentamiento del agua – es habitual que gotee agua a través de la abertura de drenaje de la válvula de seguridad. La válvula de seguridad debe estar abierta a la atmósfera. Además, deben tomarse medidas para conducir y recoger las fugas a fin de evitar daños.
7. Si se prevé que se van a alcanzar temperaturas de congelación (bajo °C) el termo debe ser completamente vaciado.

En el caso de que necesite vaciar el termo, primero deberá cortar el suministro eléctrico. Detenga igualmente el suministro de agua al termo. Abra el grifo de agua caliente del grifo de mezcla. Abra el grifo 7 (Fig.4) para descargar el agua del termo. En caso de que falte ese grifo en la instalación, el agua puede descargarse directamente del tubo de entrada de agua, desconectando previamente el termo de las tuberías de agua..

Conexión a la red eléctrica

1. No conecte el termo sin estar seguro de que está lleno de agua.
2. Durante la conexión del termo a la corriente eléctrica hay que tener especial cuidado al conectar el cable de seguridad.
3. Los modelos sin cable de alimentación - el circuito debe estar provisto de un fusible de seguridad y contar con un dispositivo incorporado para asegurar la desconexión de todas las piezas eléctricas en caso de sobretensión de la categoría III.
4. Si el cable de alimentación (en aquellos aparatos que lo incorporen) sufre daños, debe ser sustituido por el servicio técnico oficial o por un profesional con la formación adecuada para ello, a fin de evitar cualquier riesgo.
5. Durante el proceso de calentamiento, la resistencia puede emitir un ligero ruido (agua hirviendo), lo cual es habitual y no implica ningún problema. Sin embargo, si el ruido va a más con el paso del tiempo puede que la razón sea la acumulación de cal. Para eliminar el ruido será necesario limpiar el aparato desencrustando la cal adherida.

**Estimados clientes,
Nuestro equipo le felicita con la máxima cordialidad, por su nueva compra.
Esperamos que el nuevo aparato aporte confort a su hogar.**

II. CARACTERÍSTICAS TÉCNICAS

1. Capacidad nominal, litros – ver la placa de características del aparato.
2. Tensión nominal - ver la placa de características del aparato.
3. Consumo de energía nominal - ver la placa de características del aparato.
4. Presión nominal - ver la placa de características del aparato.



Ésta no es la presión de la red de suministro de agua. Es la anunciada para el aparato y se refiere a los requisitos de las normas de seguridad.

5. Tipo de termo - termo cerrado de acumulación con aislamiento térmico.
6. Consumo diario de electricidad - ver Anexo I
7. Perfil de carga nominal - ver Anexo I
8. Cantidad de agua mezclada a 40 ° C V40 en litros - ver Anexo I
9. Temperatura máxima del termostato - ver Anexo I
10. Ajustes de temperatura de serie - ver Anexo I
11. Eficiencia energética durante el calentamiento del agua - ver Anexo I.

III. DESCRIPCIÓN Y PRINCIPIO DE FUNCIONAMIENTO

El aparato se compone de cuerpo, brida (en los termos de montaje vertical) o en ambos lados (en termosifones de montaje horizontal), un panel de plástico de protección y una válvula protectora antiretorno.

1. El cuerpo se compone de un tanque de acero (contenedor de agua) y una carcasa (envoltura externa) con aislamiento térmico entre ellos de poliuretano ecológico de alta densidad, y dos tubos con rosca G ½ " para el agua fría (anillo azul) y para suministrar agua caliente (anillo rojo).

El tanque interno puede ser de dos tipos en función del modelo:

- De acero negro protegido contra la corrosión por recubrimiento especial vitrocerámico.
- De acero inoxidable.

2. En la brida hay una resistencia eléctrica montada. En los termos con recubrimiento vitrocerámico hay también un ánodo de magnesio montado.

La resistencia eléctrica sirve para calentar el agua en el tanque y es controlada por el termostato que mantiene automáticamente la temperatura determinada.

El aparato dispone de un mecanismo incorporado para asegurar una protección fiable contra el sobrecalentamiento (termodesconector), que apaga la resistencia cuando el agua adquiere una temperatura excesiva en el interior del termo. En el caso de que esto suceda, póngase en contacto con el servicio técnico oficial.

3. La válvula antiretorno evita que el termo se vacíe por completo en el caso de que se interrumpa el suministro de agua fría. La válvula protege al termo de que la presión se eleve por encima de los valores permitidos durante el calentamiento (la presión aumenta al aumentar la temperatura), mediante liberación del exceso de presión durante la apertura del drenaje.



La válvula de protección antiretorno no puede proteger el aparato cuando el flujo de agua viene a una presión mayor que la determinada para el aparato.

IV. MONTAJE Y CONEXIÓN



¡ATENCIÓN! La instalación y conexión incorrecta del equipo podrán hacerlo peligroso para la salud y la vida de los usuarios haciendo posibles los daños graves y perdurables, incluso pero no limitados a la discapacidad física y/o muerte. También pueden causar daños/destrucción y/o aniquilación de su propiedad, así como a la de terceros, por inundación, explosión, incendio y otros. La instalación, la conexión a la red de agua y a la red eléctrica, así como la puesta en marcha deberán ser llevadas a cabo únicamente por electricistas y técnicos cualificados para la reparación y el montaje del equipo que han adquirido sus competencias profesionales en el territorio del país donde se lleva a cabo el montaje y la puesta en marcha del equipo y en conformidad con su normativa

1. Montaje

Se recomienda que el montaje del aparato sea lo más cerca posible de los puntos de suministro del agua caliente para con ello minimizar las pérdidas de calor en la conducción de agua. En caso de montar el termo en el cuarto de baño, debe ser instalado en un lugar en el que no pueda moverse.

El aparato se fija a la pared mediante las placas que lleva incorporadas al cuerpo (si las placas no van ya incorporadas, deben ser acopladas al cuerpo mediante los tornillos provistos). El termo quedará colgado de la pared por la acción de dos ganchos (mín. F 10 mm) fijados firmemente en la pared (no incluidos en el set de montaje). La construcción de la placa que llevan los termos de montaje vertical es universal y permite que la distancia entre los ganchos sea de 220 a 310 mm. 1a. En los termos de montaje horizontal las distancias entre los ganchos son diferentes en función del modelo y están mostradas en la tabla 2. de fig. 1c. para un montaje solar - fig.1d -1f.



¡ATENCIÓN! Para evitar daños en el usuario y/o terceras personas en caso de deterioro del sistema de suministro de agua caliente es necesario que el aparato se monte en recintos donde haya un hidroaislamiento de suelo y canerías de desagüe. En ningún caso situe objetos debajo del termo que no sean impermeables. En el caso de montar el aparato en recintos sin hidroaislamiento de suelo es necesario que se instale una cubeta de protección con canalización hacia la canería de desagüe debajo del aparato.



OBSERVACION: el set de montaje no incluye la cubeta de protección y es el usuario el que debe elegirla.

2. **Conexión del termo a la red de tuberías**
Fig. 4a para un montaje vertical ; Fig. 5b para un montaje horizontal, c) para un montaje solar.

Donde: 1. Tubo de entrada. 2. Válvula de seguridad 3. Válvula de reducción (en caso de una presión en en el suministro de agua de más de 0.6 MPa), 4. Una válvula de parada 5. Embudo con una conexión al desagüe. 6. Manguera 7. Grifo para descargar el agua.

Cuando se conecta el termo a la red de conducción de agua hay que tener en cuenta los signos de color indicadores (anillos) en los tubos: azul - para agua fría /de entrada/, rojo - para el agua caliente /de salida/.

Es obligatorio que se monte la válvula de retorno de seguridad que incorpora el termo. Esta se debe colocar en la entrada del agua fría, siguiendo el sentido indicado por la flecha, que indica la dirección de entrada del agua. No se admite el montaje de llaves de paso adicionales entre la válvula de retorno y el aparato.

Excepción: Si las normativas locales requieren usar otra válvula de seguridad o dispositivo (que cumplen la normas EN 1487 o EN 1489) estos deben comprarse por separado. Para dispositivos que cumplen la norma EN 1487, la presión máxima de trabajo anunciada debe ser de 0,7 MPa. Para otras válvulas de seguridad, la presión a la que son calibradas debe ser 0,1MPa inferior que la indicada en la placa del aparato. En estos casos, la válvula de retorno, que se suministra con el aparato, no debe ser utilizada.



¡ATENCIÓN! La presencia de otras /viejas/ válvulas de retorno puede provocar un deterioro de su aparato, por lo que deben ser eliminadas.



¡ATENCIÓN! No se admiten otras llaves de paso entre la válvula de seguridad y el aparato.



¡ATENCIÓN! No se permite el enrollamiento de la válvula a tallados con longitud de más de 10 mm., en caso contrario esto puede causar deterioro de su válvula y será peligroso para su aparato.



¡ATENCIÓN! En los termos verticales, la válvula de protección debe estar conectada a la tubería de entrada si el panel de plástico del aparato está quitado. Después de su montaje, este debe adoptar la posición marcada en la figura 3, figura 4.



¡ATENCIÓN! La válvula de seguridad y la tubería entre la válvula y el termo deben estar protegidos contra la congelación. Durante el vaciado de la manguera, su extremo libre debe estar siempre abierto al atmósfera (nunca sumergido). Asegúrese de que la manguera también está protegida contra la congelación.

La apertura de la llave de agua fría de la red de suministro de agua y la apertura de la llave de agua caliente del grifo de mezcla lleva a cabo

el llenado del termo de agua. Tras el completo llenado del termo, debe comenzar un flujo constante de agua desde el grifo de mezcla de agua. Ahora ya puede cerrar el grifo de agua caliente.

En el caso de que necesite vaciar el termo, primero deberá cortar el suministro eléctrico. Detenga igualmente el suministro de agua al termo. Abra el grifo de agua caliente del grifo de mezcla. Abra el grifo 7 (Fig.4) para descargar el agua del termo. En caso de que falte ese grifo en la instalación, el agua puede descargarse directamente del tubo de entrada de agua, desconectando previamente el termo de las tuberías de agua.

Cuando se quita la brida es normal que fluyan unos litros de agua, procedentes del tanque de agua.



¡ATENCIÓN! Cuando se extrae, deben adoptarse unas medidas de prevención de daños por el agua que se derrama.

Si la presión en la red de agua supera los valores indicados en el párrafo 2, es necesaria la instalación de una válvula de reducción de presión, de lo contrario el termo de agua no funcionará correctamente. El fabricante no asume la responsabilidad de los problemas causados por el uso incorrecto del aparato.

3. Conexión a la red eléctrica Fig. 2



¡ATENCIÓN! Antes de conectar la alimentación eléctrica, asegúrese de que el aparato está lleno de agua.

3.1. Los modelos provistos con cable de alimentación con enchufe se conectan insertando el enchufe en el contacto. Para apagarlo basta con desconectar el enchufe del contacto.



¡ATENCIÓN! La toma debe estar conectada a un circuito separado provisto de un mecanismo de seguridad. Se debe estar conectado a tierra.


3.2. Termo de agua sin cable de alimentación
El aparato debe conectarse a un circuito eléctrico individual de la instalación eléctrica fija, equipado con un fusible de seguridad con corriente eléctrica nominal de 16A (20A para potencia > 3700W). La conexión se realiza por cables de cobre con un hilo (sólidos) - cable 3x2,5 mm² para potencia total de 3000W (cable 3x4,0mm² para potencia > 3700W).

El circuito eléctrico debe contar con un dispositivo incorporado para asegurar la desconexión de todas las piezas eléctricas en caso de sobretensión de la categoría III.

Para conectar el cable de alimentación al termo, retire primero la tapa de plástico (fig. 3).

Conectar los cables de alimentación de la siguiente manera:

- cable correspondiente a fase conecte a señal A o A1 o L o L1.

- cable correspondiente a neutro conecte a señal N (B o B1 o N1).
- Es obligatoria la conexión del cable de seguridad a la junta de tornillo con el enlace de tornillo, señalado con signo .

Después de montaje la tapa de plástico se pone de nuevo!

Aclaraciones de la fig 2

TS – desconector de termo; TR – regulador de termo; R – calentador; IL – luz señal; F – elemento de conexión;

V. PROTECCIÓN CONTRA CORROSIÓN – ÁNODO DE MAGNESIO

El ánodo de magnesio protege la superficie interna del tanque de agua contra la corrosión. Se trata de un elemento de sacrificio que debe estar sometido a una inspección periódica. TAun cuando el termo funcione sin incidencias, el fabricante recomienda que el ánodo de magnesio sea inspeccionado de forma anual y sustituido cuando sea necesario, siempre por el servicio técnico oficial autorizado!

VI. OPERACIÓN CON EL APARATO.

Conexión del aparato:

Antes de conectar el aparato por primera vez asegúrese de que el termosifón ha sido conectado correctamente en la red eléctrica y de que está lleno de agua. La conexión del calentador se realiza mediante el reconector incorporado en la instalación, descrito en subpunto 3.2 de punto IV o conexión del tomacorriente con el enchufe (si el modelo tiene un cable con tomacorriente)



¡IMPORTANTE! En modelos que no tienen voltaje de manejo del termostato el ajuste de regulación automática de la temperatura del agua está enseñado de forma fabril.

La lámpara de control del panel indica el estado /régimen/, en que se encuentra el aparato, alumbrando cuando el agua se calienta y se apaga cuando se alcance la temperatura del agua indicada por el termostato.

Posición **e** (Ahorro de energía eléctrica)

– Durante este régimen de funcionamiento el agua alcanza una temperatura de 60 °C aproximadamente. De esta manera se reducen las pérdidas de calor.

Protección por temperatura (válida para todos los modelos).

El aparato está provisto de un mecanismo especial (desconector de termo) para proteger de recalentación del agua, que excluye el calentador de la red eléctrica, cuando la temperatura alcance unas cifras muy altas.



¡ATENCIÓN! Después de la activación, el dispositivo no se regenera y el aparato no funcionará. Póngase en contacto con un centro de servicio autorizado para solución del problema.

VII. MANTENIMIENTO PERIÓDICO

En caso de función normal del calentador bajo la influencia de la alta temperatura de la superficie del calentador se difiere caliza /o sea piedra de caldera/. Esto empeora el cambio de calor entre el calentador y el agua. La temperatura de la superficie del calentador y en la zona alrededor de éste aumenta. Se oye un ruido típico /de agua hirviente/. El regulador de termo comienza a conectar y desconectar más a menudo. Es posible que haya una activación “falsa” de la protección de temperatura. Por eso el productor de este aparato recomienda profiláctica de su calentador de agua a cada dos años por un centro de servicios autorizado o por una base de servicios. Esta profiláctica debe incluir limpieza y revisa del protector de ánodo (en los calentadores con una cobertura de vidrio y cerámica), que en caso de necesidad sea cambiado por otro nuevo.

Para limpiar el aparato utilice un paño húmedo. No use limpiadores abrasivos o aquellos que contienen solventes. No riegue el aparato con agua.

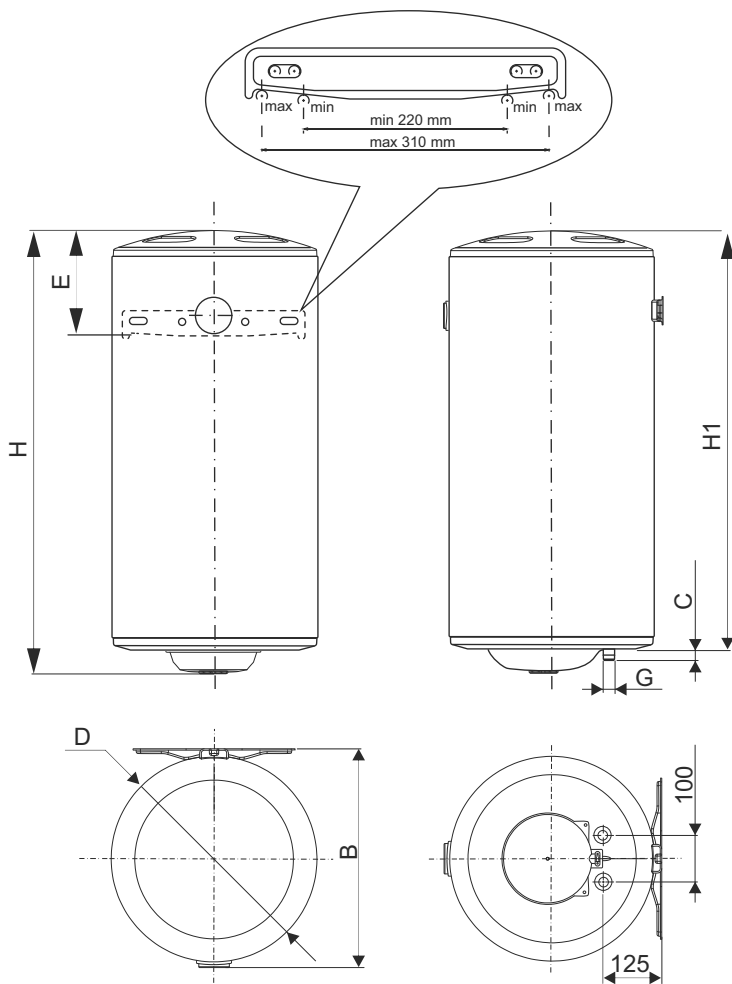
El productor no lleva ninguna responsabilidad de todas las consecuencias derivadas de no respetar la presente instrucción.

ELIMINACIÓN DE LOS EMBALAJES Y DEL PRODUCTO



Deseche el material de embalaje del aparato correctamente. Todos los materiales de embalaje pueden ser reciclados. Las piezas de plástico están marcadas con las abreviaturas internacionales estándar: (por ejemplo, PS para poliestireno, material de relleno) Este aparato está identificado de acuerdo con la directriz europea 2012/19 / UE sobre residuos de equipos eléctricos y electrónicos -WEEE. La guía específica el marco para una devolución y reutilización válidas en toda la UE de aparatos viejos.

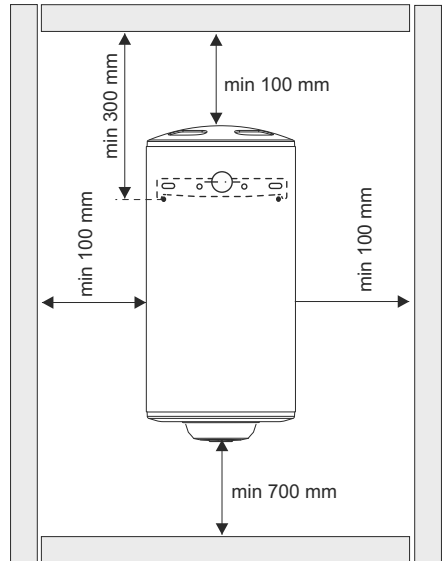
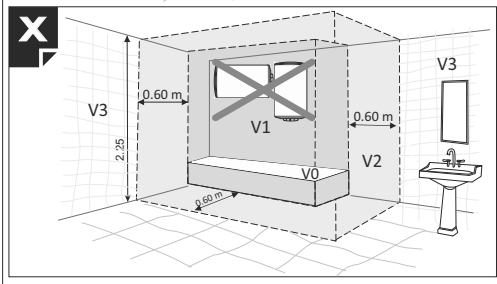
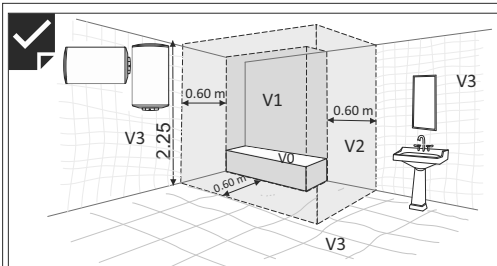
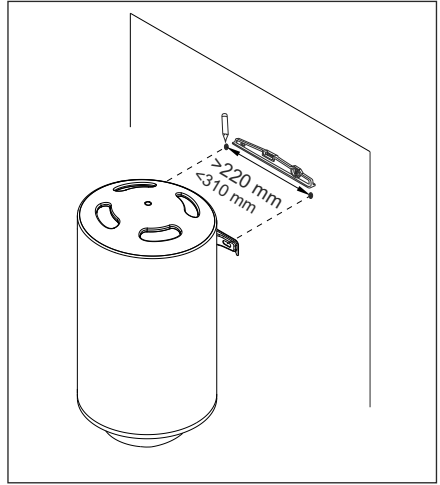
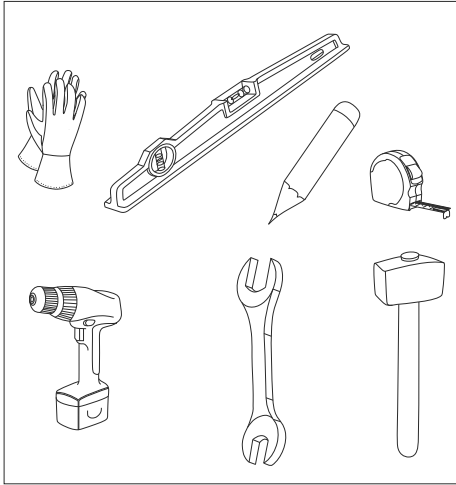
¡Advertencia! ¡El material de embalaje podría ser peligroso para los niños! Para desechar el paquete y el aparato, diríjase a un centro de reciclaje. Corte el cable de alimentación y deje el dispositivo de cierre de la puerta inutilizable. El embalaje de cartón se fabrica con papel reciclado y debe desecharse en el contenedor adecuado para su reciclaje. Al asegurarse de que este producto se elimina correctamente, ayudará a evitar posibles consecuencias negativas para el medio ambiente y la salud humana, que de otro modo podrían ser causadas por el uso inadecuado de los desechos de este producto. Para obtener información más detallada sobre el reciclaje de este producto, comuníquese con la oficina local de su ciudad y con el servicio de eliminación de desechos de su hogar.

1**1a****1**

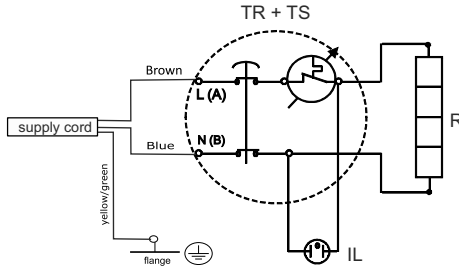
Type	D, mm	H, mm	H1, mm	B, mm	E, mm
SVTE50A4	440	589	538	465	182
SVTE80A4	440	839	788	465	182

Note: The illustration is a reference image, your device may differ.

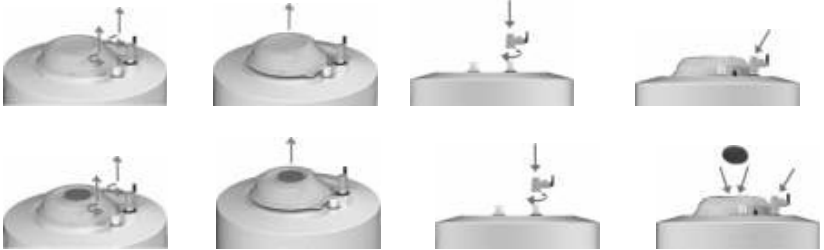
Nota: La ilustración es una imagen de referencia, su aparato podría diferir.



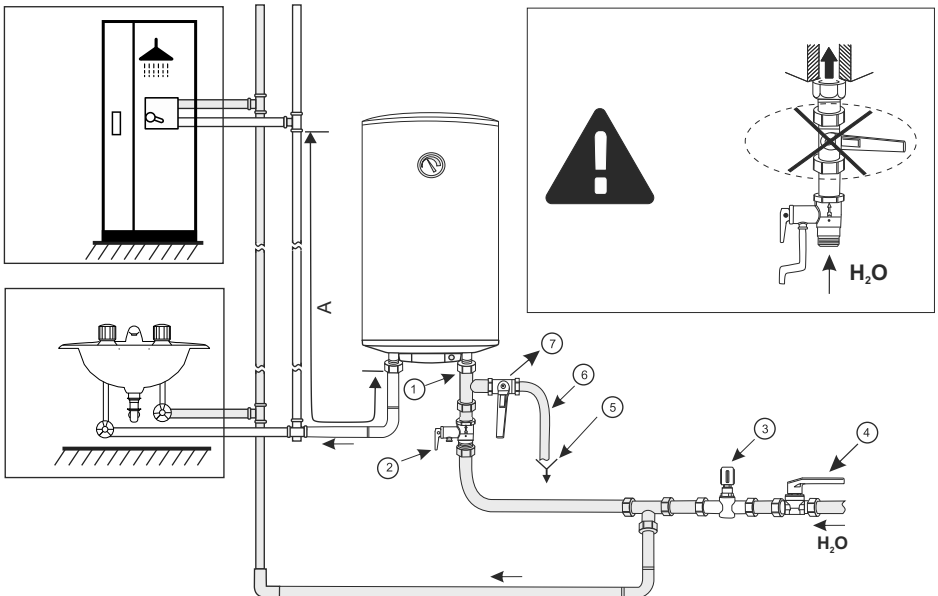
2



3



4



Note: The illustration is a reference image, your device may differ.

Nota: La ilustración es una imagen de referencia, su aparato podría diferir.

